

Type 02845, 02846



BTK - bimetal temperature protection

- with connector
- with cable 1,6 m (custom made)

Characteristics

- Bimetal switch or disconnecting contact**
- Compact design (stainless steel)**
- Mounting in the weld-on-piece**

Technical data

Operating temperature

range: 60 to 130°C (step 10°C)

Ambient

temperature: -30°C to +125°C (Temperature on the connector)

Tolerance: ± 5°C

Hysteresis Δ : 10 ÷ 50°C

Output: NC/NO (only custom-made)

Mechanical life: 1,6 A/250 V AC - 10000 cycles (inductive load)

2,5 A/250 V AC - 10000 cycles (resistive load)

4 A/250 V AC - 6000 cycles (resistive load)

Insulation resistance: 2 300 V/50 Hz

Dielectrical strength: 500 M Ω /500 V DC

Classification: device of protection class II (EN 61 010-1)

Process connection: into weld-on-pieces

EI. connection: Connector cable \varnothing 4 ÷ 6 mm, 0.75 mm² silicone cable: \varnothing 6 mm, 0.5 mm², 1.6 m

Max. temperature: 150°C/1 min.

Max. pressure: 4 MPa

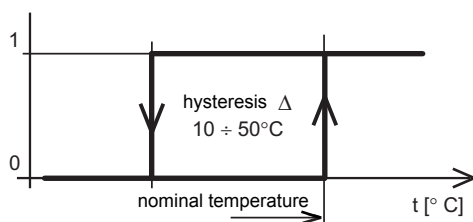
Ingress protection: IP 65

Description - use

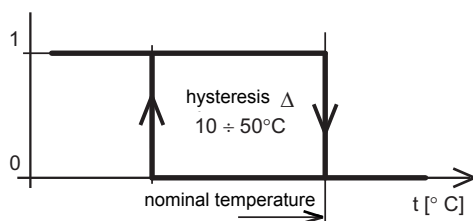
Temperature protection range **BTK** forms encased bimetal contact embedded in special material to stem bottom from stainless steel. The connection is provided by silicone cable or connector attached to stainless screws. It is produced with connecting and disconnecting contact (BTKs-custom-made or BTKr) for complete temperature range.

The BTK protection are not suitable for disassembly and are assembled by screwing to weld.

Considering the hysteresis connection size, these devices are suitable only for the device protection from overheating and not temperature regulation!

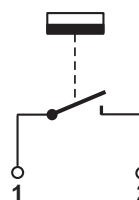


Connection of **BTKs** with connection contact

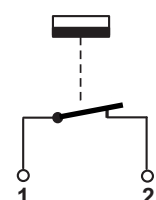


Characteristics of **BTKr** with disconnection contact

Terminal connection



BTKs with connection contact

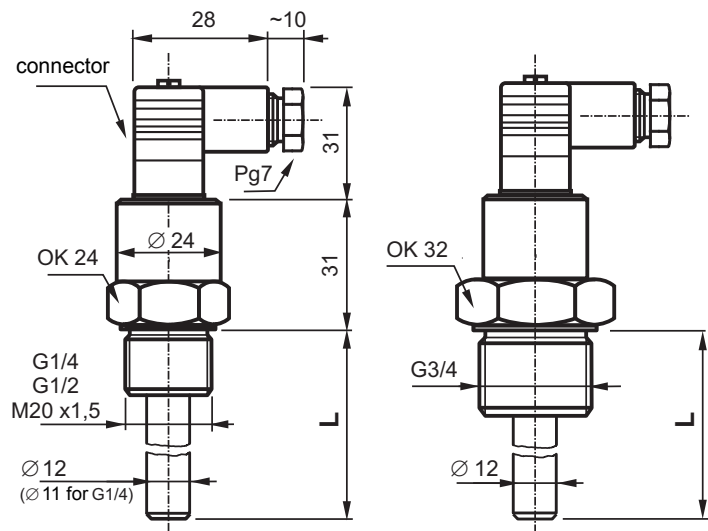


BTKr with disconnection contact

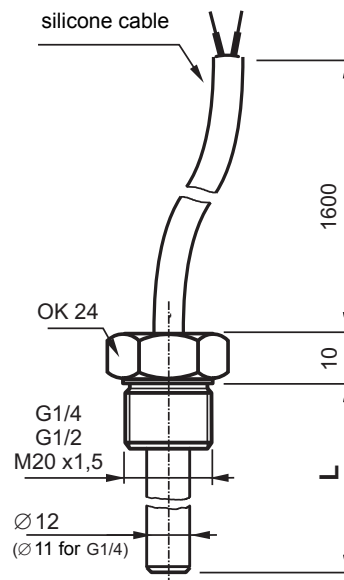
Due to continual technical development the manufacturer reserves the right to change parameters without prior notification.

Dimension drawing

Material: stainless steel 1.4541



Temperature protection BTK with connector



Temperature protection BTK with silicone cable

Conditions for assembly and connection

Mounting and connection of protection BTK can only be performed by a person qualified according to Decree no. 50/78 upon observing all applicable regulations.

Ordering devices

Code	Name																		
40 02845 9	Bimetal temperature protection BTK with connector																		
	<table border="1"> <thead> <tr> <th>Code</th> <th>Function(s)</th> </tr> </thead> <tbody> <tr> <td>1</td> <td>switching (custom made) BTK s</td> </tr> <tr> <td>2</td> <td>disconnection BTK r</td> </tr> </tbody> </table>	Code	Function(s)	1	switching (custom made) BTK s	2	disconnection BTK r												
Code	Function(s)																		
1	switching (custom made) BTK s																		
2	disconnection BTK r																		
	<table border="1"> <thead> <tr> <th>Code</th> <th>Thread</th> </tr> </thead> <tbody> <tr> <td>0</td> <td>G 1/4 - stem only 40 mm</td> </tr> <tr> <td>1</td> <td>G 1/2</td> </tr> <tr> <td>2</td> <td>M 20 x 1,5</td> </tr> <tr> <td>3</td> <td>G 3/4</td> </tr> </tbody> </table>	Code	Thread	0	G 1/4 - stem only 40 mm	1	G 1/2	2	M 20 x 1,5	3	G 3/4								
Code	Thread																		
0	G 1/4 - stem only 40 mm																		
1	G 1/2																		
2	M 20 x 1,5																		
3	G 3/4																		
	<table border="1"> <thead> <tr> <th>Code</th> <th>Stem [mm]</th> </tr> </thead> <tbody> <tr> <td>4</td> <td>40</td> </tr> <tr> <td>6</td> <td>60</td> </tr> <tr> <td>7</td> <td>100</td> </tr> <tr> <td>8</td> <td>160</td> </tr> <tr> <td>9</td> <td>250</td> </tr> </tbody> </table>	Code	Stem [mm]	4	40	6	60	7	100	8	160	9	250						
Code	Stem [mm]																		
4	40																		
6	60																		
7	100																		
8	160																		
9	250																		
	<table border="1"> <thead> <tr> <th>Code</th> <th>Temperature</th> </tr> </thead> <tbody> <tr> <td>06</td> <td>60 °C</td> </tr> <tr> <td>07</td> <td>70 °C *)</td> </tr> <tr> <td>08</td> <td>80 °C</td> </tr> <tr> <td>09</td> <td>90 °C *)</td> </tr> <tr> <td>10</td> <td>100 °C</td> </tr> <tr> <td>11</td> <td>110 °C *)</td> </tr> <tr> <td>12</td> <td>120 °C</td> </tr> <tr> <td>13</td> <td>130 °C</td> </tr> </tbody> </table>	Code	Temperature	06	60 °C	07	70 °C *)	08	80 °C	09	90 °C *)	10	100 °C	11	110 °C *)	12	120 °C	13	130 °C
Code	Temperature																		
06	60 °C																		
07	70 °C *)																		
08	80 °C																		
09	90 °C *)																		
10	100 °C																		
11	110 °C *)																		
12	120 °C																		
13	130 °C																		
40 02845 9	2 1 2 07																		

*) Standard temperatures

Order example: 1 temperature protection with connector BTKr, disconnection contactt, thread G1/2, stem 20 mm, temperature 70°C.

Warranty

24 months warranty is provided from the delivery date unless specified otherwise in the purchase contract.

Code	Name																		
40 02846 9	Bimetal temperature protection BTK with cable																		
	<table border="1"> <thead> <tr> <th>Code</th> <th>Function(s)</th> </tr> </thead> <tbody> <tr> <td>1</td> <td>switching (custom made) BTK s</td> </tr> <tr> <td>2</td> <td>disconnection BTK r</td> </tr> </tbody> </table>	Code	Function(s)	1	switching (custom made) BTK s	2	disconnection BTK r												
Code	Function(s)																		
1	switching (custom made) BTK s																		
2	disconnection BTK r																		
	<table border="1"> <thead> <tr> <th>Code</th> <th>Thread</th> </tr> </thead> <tbody> <tr> <td>0</td> <td>G 1/4 - stem only 40 mm</td> </tr> <tr> <td>1</td> <td>G 1/2</td> </tr> <tr> <td>2</td> <td>M 20 x 1,5</td> </tr> <tr> <td>3</td> <td>G 3/4</td> </tr> </tbody> </table>	Code	Thread	0	G 1/4 - stem only 40 mm	1	G 1/2	2	M 20 x 1,5	3	G 3/4								
Code	Thread																		
0	G 1/4 - stem only 40 mm																		
1	G 1/2																		
2	M 20 x 1,5																		
3	G 3/4																		
	<table border="1"> <thead> <tr> <th>Code</th> <th>Stem [mm]</th> </tr> </thead> <tbody> <tr> <td>4</td> <td>40</td> </tr> <tr> <td>6</td> <td>60</td> </tr> <tr> <td>7</td> <td>100</td> </tr> <tr> <td>8</td> <td>160</td> </tr> <tr> <td>9</td> <td>250</td> </tr> </tbody> </table>	Code	Stem [mm]	4	40	6	60	7	100	8	160	9	250						
Code	Stem [mm]																		
4	40																		
6	60																		
7	100																		
8	160																		
9	250																		
	<table border="1"> <thead> <tr> <th>Code</th> <th>Temperature</th> </tr> </thead> <tbody> <tr> <td>06</td> <td>60 °C</td> </tr> <tr> <td>07</td> <td>70 °C *)</td> </tr> <tr> <td>08</td> <td>80 °C</td> </tr> <tr> <td>09</td> <td>90 °C *)</td> </tr> <tr> <td>10</td> <td>100 °C</td> </tr> <tr> <td>11</td> <td>110 °C *)</td> </tr> <tr> <td>12</td> <td>120 °C</td> </tr> <tr> <td>13</td> <td>130 °C</td> </tr> </tbody> </table>	Code	Temperature	06	60 °C	07	70 °C *)	08	80 °C	09	90 °C *)	10	100 °C	11	110 °C *)	12	120 °C	13	130 °C
Code	Temperature																		
06	60 °C																		
07	70 °C *)																		
08	80 °C																		
09	90 °C *)																		
10	100 °C																		
11	110 °C *)																		
12	120 °C																		
13	130 °C																		
40 02846 9	2 1 6 09																		

*) Standard temperatures

Order example: 1 temperature protection with cable BTKr, disconnection contactt, thread G1/2, stem 60 mm, temperature 90°C.