

Type 61126

Temperature regulator capillary



Characteristics

Range: -40°C to 210°C in 7 ranges
 Contact load: ~ 250V/10A, cos 1
 ~ 250V/2A, cos φ 0.6-0.3
 = 250V/0,1A
 = 48V/0,2A

Protection class: IP 65


Compact design

Connection by means of terminals on the switch or connector (except for Ex and switch B)

Technical data

Ambient temperature: temperature range -40 to +60°C
 temperature range -20 ≤ T_a ≤ +40°C

(Ex)

Specification  II 2G Ex db eb IIB T6 Gb

environment Ex:  II 2D Ex tb IIIC T 50°C Db

Vibration during operation:

f = 10 to 55 Hz, s_a = to 0,15 mm

Min. service life:

at load by rated values according to the manual and max. speed of cycling up to 6 cycles/min is min. 100 000 cycles

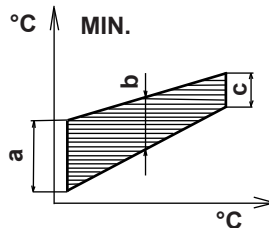
Connection:

cable: Ø 9 ÷ 13 mm,
wires: 0,75 at 2,5 mm²

Description - use

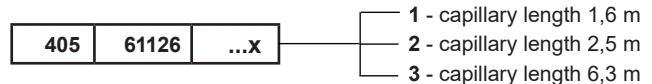
The main use is for regulating and signalling temperatures with the option of placing owned regulator outside the regulated agent. Upon order, it is possible to deliver wells in brass design or stainless and rubber bushing in the walls, see Accessories.

Course of the difference in relation to the scale regulator (a-beginning - b-centre - c-end for range)



Order No. *) 405 xxxxx xxxx		Microswitch		Range	Unstability	Min. difference			Max. difference			Time factor T [s]	Max. overloading	Units	Length L [mm]	Diameter d [mm]	Weight [kg]			
Design		A	B			Microswitch														
						A			B									A, B		
						a	b	c	a	b	c							a	b	c
T Ex	61126	601x 901x	611x 911x	-40 to 0	±1	2	2	2	4	4	4	12	12	12	100	8,6	0,75			
T Ex	61126	602x 902x	612x 912x	-25 to 15		2	2	2	4	4	4	12	12	12						
T Ex	61126	603x 903x	613x 913x	0 to 40	±1 **)	3	2	1,5	5	4	3	16	12	8	160	11,5	0,8			
T Ex	61126	604x 904x	614x 914x	30 to 90	±1,5	3	2	1,5	5	4	3	20	12	8						
T Ex	61126	605x 905x	615x 915x	70 to 140	±2	3	2,5	1,5	5	4	3	20	12	7	100	8,6	0,75			
T Ex	61126	606x 906x	616x 916x	110 to 180		3	2,5	2	6	5	4	20	12	8						
T Ex	61126	607x 907x	617x 917x	140 to 210		±2,5	3	2,5	2	6	5	4	20	12				8		

Ambient temperature, where the controller cabinet is located, must be for ranges -40 to +15°C higher, and for ranges +30 to +210°C lower than the temperature regulated.

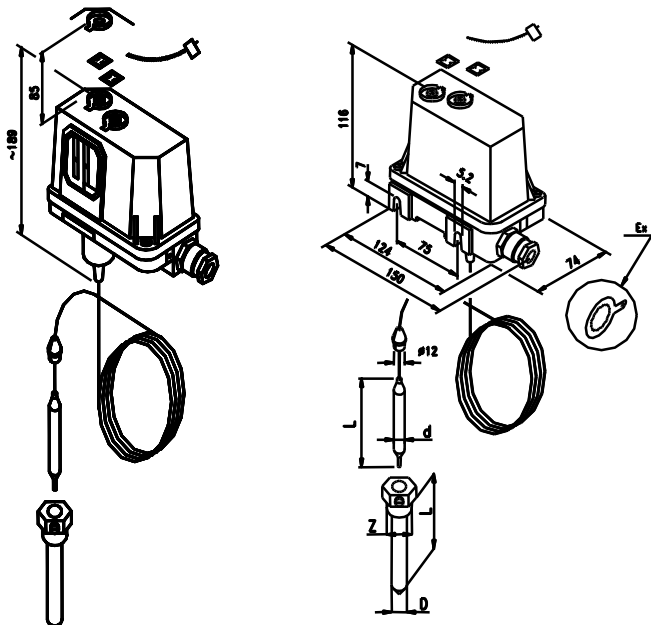


*) Order number for devices with connector comprises of basic ordering number according to the table and additional number 01.

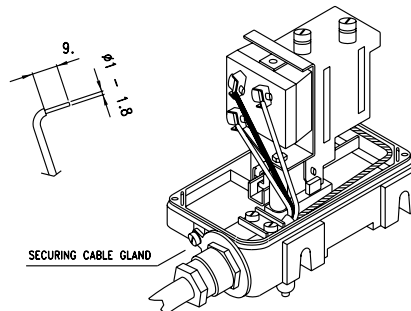
**) If the regulated medium temperature is within ±2°C in comparison to the temperature of the remaining part of the sensor, the instability increases to ±2°C.

Due to continual technical development the manufacturer reserves the right to change parameters without prior notification.

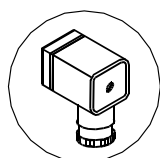
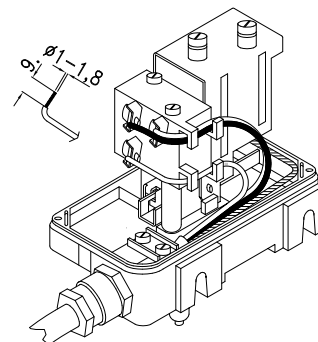
Dimension drawing



Switch connection in design Ex



Switch connection in design T



Connector - ordered with additional number **01** after ordering number of the regulator (custom made)

Height above regulator necessary for removing cover is approx 85 mm.

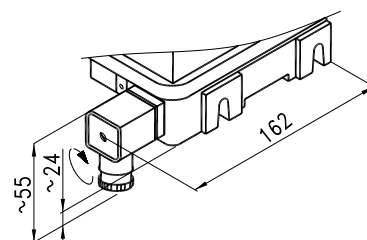
Ordering devices

Code	Name
405 61126	Temperature regulator capillary
Code	Design
6	T
9	Ex
Code	Switch type
0	A
1	B
Code	Range
1	-40 to 0 °C
2	-25 to 15 °C
3	0 to 40 °C
4	30 to 90 °C
5	70 to 140 °C
6	110 to 180 °C
7	140 to 210 °C
Code	Capillary length
1	1,6 m
2	2,5 m
3	6,3 m
Code	Custom made
01	connector

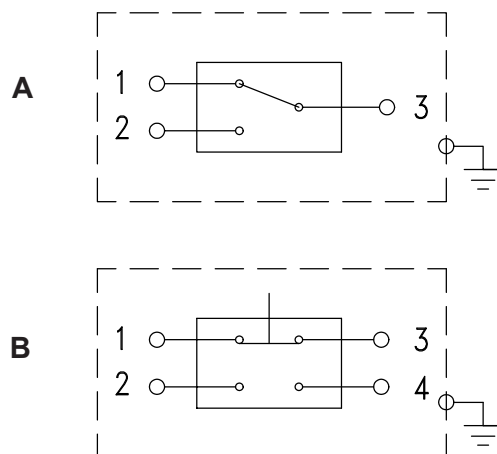
405 61126	6	0	3	1	01	Ordered No.
-----------	---	---	---	---	----	-------------

Order example: temperature regulator capillary, design T, switch A, range 0-40°C, capillary 1,6m, custom made with connector

Design with connector



Connecting switches (type A, B)



Switches 2-3 (2-4) at increasing temperatures.
Switches 1-3 at decreasing temperatures.

Warranty

24 months warranty is provided from the delivery date unless specified otherwise in the purchase contract.