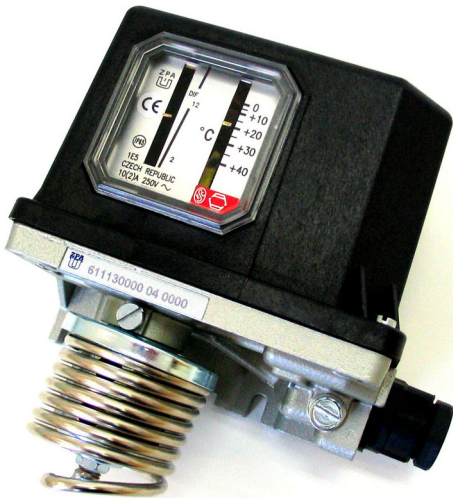


# Type 61113 Temperature regulator room



## Characteristics

**Range:** -40°C to 60°C in 5 ranges  
**Contact load:** ~ 250V/10A, cos 1  
 ~ 250V/2A, cos φ 0.6-0.3  
 = 250V/0,1A  
 = 48V/0,2A

**Protection class:** IP 65

**Compact design**

**Connection by means of terminals on the switch or connector (except for Ex and switch B)**

## Description - use

The main use is for regulating and signalling temperatures in facilities (halls, etc.).

## Technical data

**Ambient temperature:** temperature range -40 to +60°C  
 temperature range -20 ≤ T<sub>a</sub> ≤ +40°C (Ex)

**Specification environment Ex:** 

**Vibration during operation:** 

**Min. service life:**

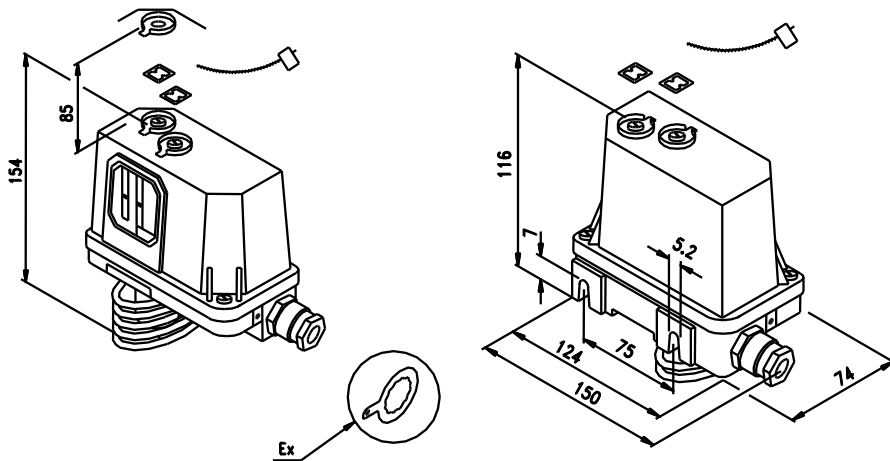
f = 10 to 55 Hz, s<sub>a</sub> = to 0,15 mm  
 at load by rated values according to the manual and max. speed of cycling up to 6 cycles/min is min. 100 000 cycles  
 cable: Ø 9 ÷ 13 mm,  
 wires: 0,75 at 2,5 mm<sup>2</sup>

Order No. *) 405 xxxxx xxxx			Range	Unstability	Min. Difference ≤		Max. Difference ≥	Time factor T [s]	Maximum overloading to	Units	Weight [kg]	
Design	Microswitch				Microswitch							
	A	B			A	B	A, B					
T	61113	6011	6111	-40 to 0	±1	2	4	12	up to 120	+60	°C	0,6
T	61113	6012	6112	-25 to 15		2	4					
Ex	61113	9012	9112	-20 to 15		2	4					
T Ex	61113	6013 9013	6113 9113	0 to 40		**)						
T	61113	6014	6114	20 to 60		2	4					

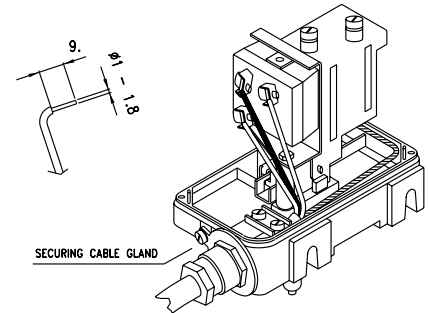
\*) Order number for devices with connector comprises of basic ordering number according to the table and additional number 01.

\*\*\*) Min. difference within range 10 to 30°C = 1,5°C - microswitch A (2°C - microswitch B), in peripheral parts at range = 2°C - microswitch A (3°C - microswitch B)

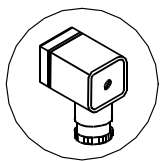
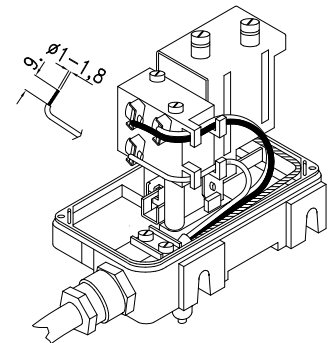
Dimension drawing



Switch connection in design Ex



Switch connection in design T



**Connector** - ordered with additional number **01** after ordering number of the regulator with switch A (custom made)

Height above regulator necessary for removing cover is approx 85 mm.

Ordering devices

Code	Name
405 61113	Temperature regulator room
Code	Design
6	T
9	Ex
Code	Switch type
0	A
1	B
Code	Range
11	-40 to 0 °C
12	-25 to 15 °C T *)
12	-20 to 15 °C Ex **)
13	0 to 40 °C
14	20 to 60 °C
Code	Custom made
01	connector

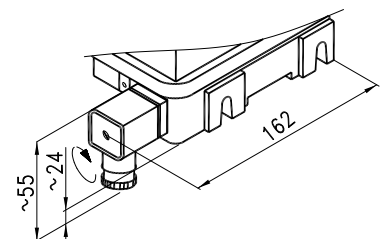
  

405 61113	6	0	13	01	Ordered No.
-----------	---	---	----	----	-------------

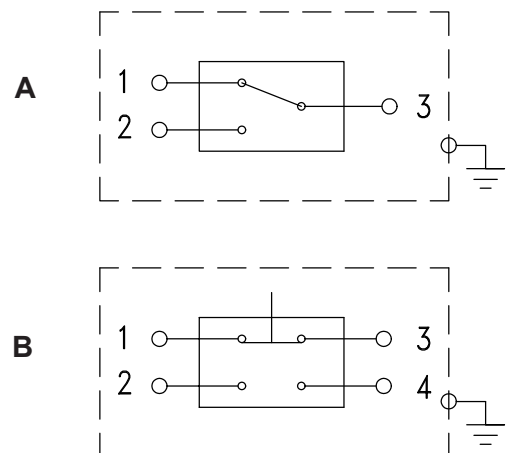
\*) only design T  
 \*\*) only design Ex

**Order example:** temperature regulator room, design T, switch A, range 0-40°C, custom made with connector

Design with connector



Connecting switches (type A, B)



Switches 2-3 (2-4) at increasing temperatures.  
 Switches 1-3 at decreasing temperatures.

Warranty

24 months warranty is provided from the delivery date unless specified otherwise in the purchase contract.