

Type 61220 Pressure difference regulator



Characteristics

Range: 0 kPa to 10 kPa in 7 ranges
Contact load: ~ 250V/10A, cos 1
 ~ 250V/2A, cos ϕ 0.6-0.3
 = 250V/0,1A
 = 48V/0,2A

Protection class: IP 65

Compact design

Connection by means of terminals on the switch or connector (except for Ex and switch B)

Description - use


The main use is for the regulation and signalization of two pressure difference of non-aggressive gases and liquids up to max. temperature 90°C and rated overpressure 10 kPa. Regulated medium must not have aggressive effects on the regulator parts it is in contact with, and must not contain contamination preventing correct function.

The regulators are designed e.g. for non-aggressive gases and liquids, kerosene, petrol, oils, greasing agents, heating gases (methane, coal gas, natural gas, propane, butane, and their compounds, etc.), sodium sulphate (sulphide) - up to 3% concentration and waste gases.

Accessories for ordering include the connection screws M12 x1,5 see. "Accessories".

Technical data

Ambient temperature: temperature range -20 to +60°C
 temperature range $-20 \leq T_a \leq +40^\circ\text{C}$
 (Ex)

Specification environment Ex: 

Vibration during operation: 

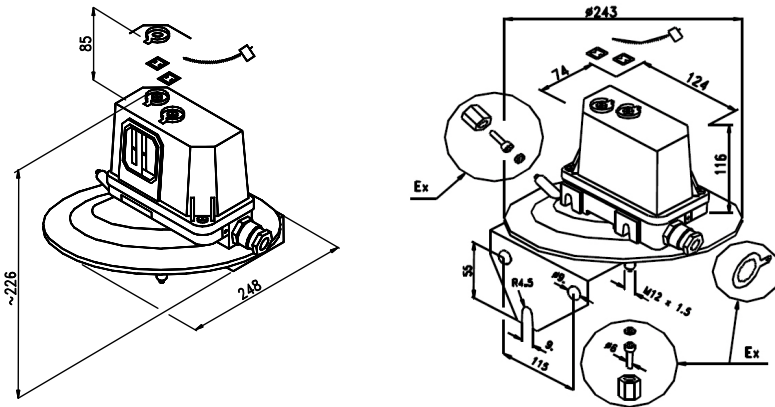
Min. service life:

$f = 10$ to 55 Hz, $s_a =$ to 0,15 mm at load by rated values according to the manual and max. speed of cycling up to 6 cycles/min is min. 100 000

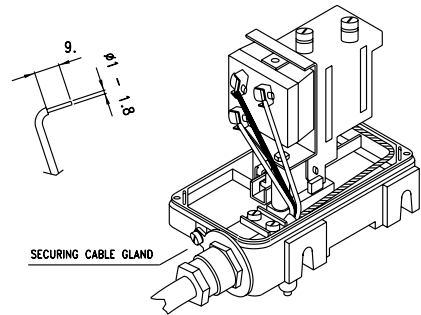
0 kPa = atmospheric pressure
 0,01 MPa = 10 kPa = 0,1 bar

Order No. 405 xxxxx xxx		Microswitch		Range	Min. difference		Max. difference	Operating pressure $[p_{\max}/p_{\min}]$	Hydraulic test pressure	Units	Weight [kg]		
Design		A	B		Microswitch								
				A	B	A, B							
T Ex	61220	6011 9011	6111 9111	0 to 0,4	0,08	0,15	0,4	10/-10	15	kPa	1,65		
T Ex	61220	6012 9012	6112 9112	0,1 to 1	0,1	0,2							
T Ex	61220	6013 9013	6113 9113	0,16 to 1,6									
T Ex	61220	6014 9014	6114 9114	0,25 to 2,5	1								
T Ex	61220	6015 9015	6115 9115	0,4 to 4	0,12	0,2							
T Ex	61220	6016 9016	6116 9116	0,63 to 6,3	0,2	0,4						2,5	
T Ex	61220	6017 9017	6117 9117	1 to 10	0,3	0,5							

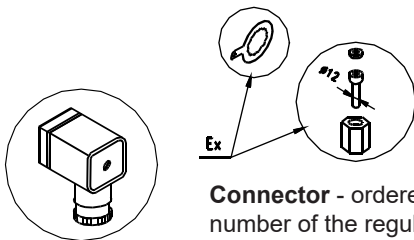
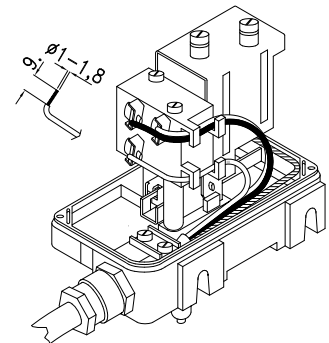
Dimension drawing



Switch connection in design Ex



Switch connection in design T



Accessories Ex

- supplied in design Ex together with regulator
- in design T it is necessary to order separately (see. Accessories)

Connector - ordered with additional number **01** after ordering number of the regulator

Height above regulator necessary for removing cover is approx 85 mm.

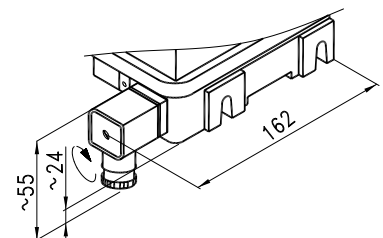
Ordering devices

Code	Name
405 61220	Pressure difference regulator
Code	Design
6	T
9	Ex
Code	Switch type
0	A
1	B
Code	Range
11	0 to 0,4 kPa
12	0,1 to 1 kPa
13	0,16 to 1,6 kPa
14	0,25 to 2,5 kPa
15	0,4 to 4 kPa
16	0,63 to 6,3 kPa
17	1 to 10 kPa
Code	custom made
01	connector

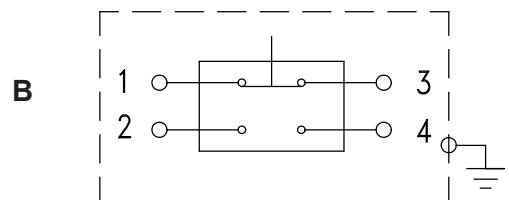
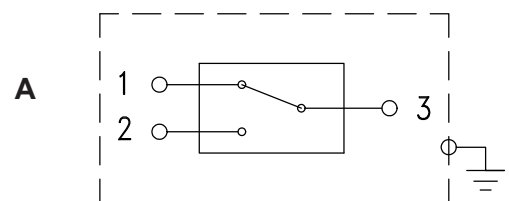
405 61220	9	0	12	01	Ordered No.
-----------	---	---	----	----	-------------

Order example: pressure difference regulator, design Ex, switch A, range 0,1 to 1 kPa, custom made with connector

Design with connector



Connecting switches (type A, B)



Switches 2-3 (2-4) at increasing pressure. Switches 1-3 at decreasing

Warranty

24 months warranty is provided from the delivery date unless specified otherwise in the purchase contract.