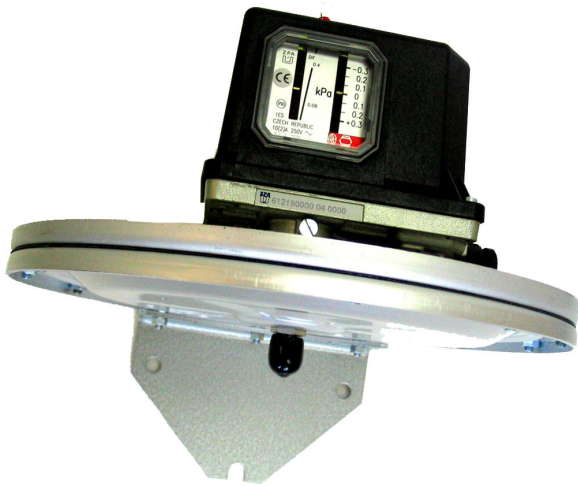


Type 61219 Membrane pressure and underpressure regulator



Characteristics

Range: -0,3 kPa to 10 kPa in 8 ranges
Contact load: ~ 250V/10A, cos 1
 ~ 250V/2A, cos ϕ 0.6-0.3
 = 250V/0,1A
 = 48V/0,2A

Protection class: IP 65

Compact design

Connection by means of terminals on the switch or connector (except for Ex and switch B)

Description - use



The main use is for the regulation and signalization of low pressure of gases and liquids, including waste gas up to max. temperature 90°C and rated overpressure 10 kPa. Regulated medium must not have aggressive effects on the regulator parts it is in contact with, and must not contain contamination preventing correct function.

The regulators are designed e.g. for non-aggressive gases and liquids, kerosene, petrol, oils, greasing agents, heating gases (methane, coal gas, natural gas, propane, butane, and their compounds, etc.), sodium sulphate (sulphide) - up to 3% concentration and waste gases.

Accessories for ordering include the connection screws M12 x1,5 see. "Accessories".

Technical data

Ambient temperature: temperature range -20 to +60°C
 temperature range $-20 \leq T_a \leq +40^\circ\text{C}$
 (Ex)

Specification environment Ex: 


Vibration during operation:

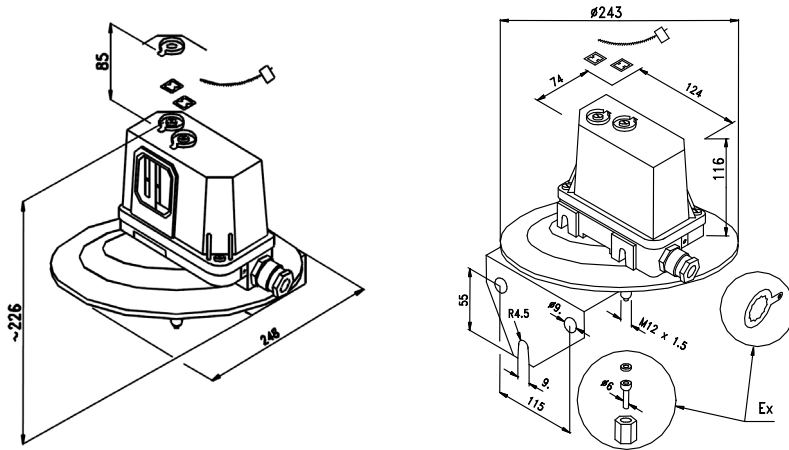
$f = 10$ to 55 Hz, $s_a =$ to 0,15 mm at load by rated values according to the manual and max. speed of cycling up to 6 cycles/min is min. 100 000

Min. service life:

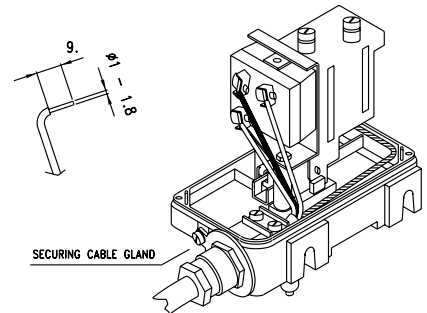
0 kPa = atmospheric pressure
 0,01 MPa = 10 kPa = 0,1 bar

Order No. 405 xxxx xxxx		Range		Min. difference *)	Max. difference	Operating pressure $[p_{max}/p_{min}]$	Hydraulic test pressure	Units	Weight [kg]		
Design	Microswitch		Microswitch								
	A	B	A	B	A, B						
T Ex	61219	6011 9011	6111 9111	-0,3 to +0,3	0,08	0,15	10/-10	15	kPa	1,65	
T Ex	61219	6021 9021	6121 9121	0 to 0,4							0,1
T Ex	61219	6022 9022	6122 9122	0,1 to 1	1						
T Ex	61219	6023 9023	6123 9123	0,16 to 1,6		2,5					
T Ex	61219	6024 9024	6124 9124	0,25 to 2,5	0,16						0,3
T Ex	61219	6025 9025	6125 9125	0,4 to 4		0,2					
T Ex	61219	6026 9026	6126 9126	0,63 to 6,3							
T Ex	61219	6027 9027	6127 9127	1 to 10							

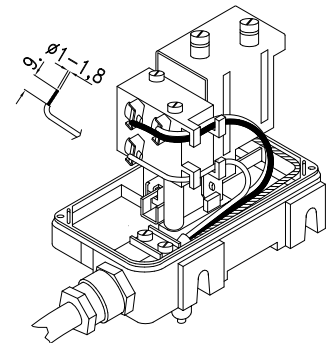
Dimension drawing



Switch connection in design Ex

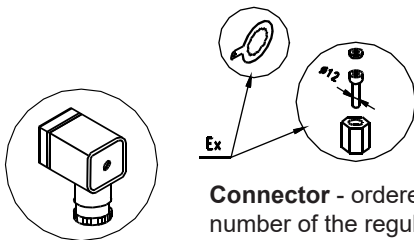


Switch connection in design T



Accessories Ex

- supplied in design Ex together with regulator
- in design T it is necessary to order separately (see. Accessories)



Connector - ordered with additional number **01** after ordering number of the regulator

Height above regulator necessary for removing cover is approx 85 mm.

Ordering devices

Code	Name
405 61219	Membrane pressure regulator
	Code Design
6	T
9	Ex
	Code Switch type
0	A
1	B
	Code Range
11	-0,3 to +0,3 kPa
21	0 to 0,4 kPa
22	0,1 to 1 kPa
23	0,16 to 1,6 kPa
24	0,25 to 2,5 kPa
25	0,4 to 4 kPa
26	0,63 to 6,3 kPa
27	1 to 10 kPa
	Code Custom made
01	connector

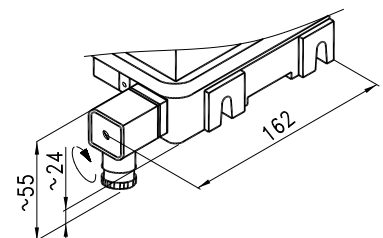
405 61219	9	0	21	-	Ordered No.
-----------	---	---	----	---	-------------

Order example: membrane pressure regulator, design Ex, switch A, range 0 to 0,4 kPa

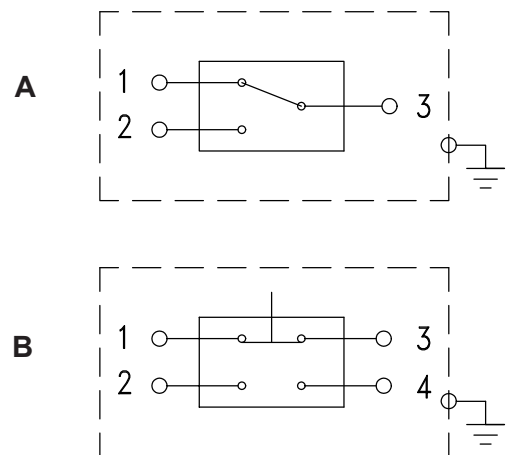
Warranty

24 months warranty is provided from the delivery date unless specified otherwise in the purchase contract.

Design with connector



Connecting switches (type A, B)



Switches 2-3 (2-4) at increasing pressure. Switches 1-3 at decreasing