

# Type 11264



# Temperature sensors Pt

- cable in design Ex  
(-20 to +170°C)



### Characteristics

- Sensor 1x or 2 x Pt 100
- Connection 4-conductor (in 2 x Pt 100 2-conductor)
- 8 mm stem diameter
- Mounting in wells.

### Description - use

The sensors are designed for temperature measuring. The sensor signal can be evaluated for temperature measuring registration or signalisation. The product is subject to ČSN EN 60751 and related standards.

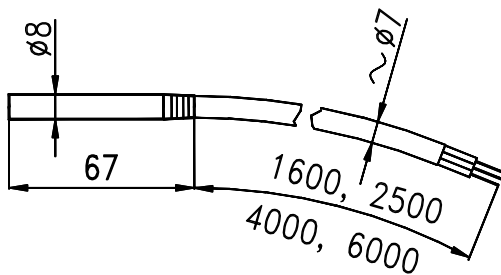
Sensors in design **II3G Ex nA II T6-T3** - it represents non-sparking device „nA“ group „II“ category „3“. They are suitable for environment with explosion hazard zone 2 except for the mines. Connected by cable.

### Technical data

- Measuring range: -20 to +170°C
- Measuring current: 1 mA
- Tolerance class: A, B according to ČSN EN 60751
- Protection class: IP 67
- Temperature reaction time: no well - water 6 s, air 30 s  
with well - water 16 s, air 50 s

### Dimension drawing

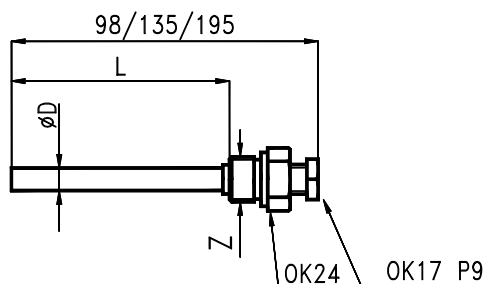
- cable sensor



Material: casing - Ms, cable - external insulation from fluoroplastics FEP

### Accessories upon order

- wells



- wells are supplied with sealing Cu ring and sealing option

Well order No. *)	L	Ø D	Z	Type of well	
405 911 084 016(01)	63	10,3	G1/2	stainless 2pcs (1pc) <b>6.3 MPa</b>	
405 911 084 116(01)	100				
405 911 084 216(01)	160				
405 911 084 316(01)	63				
405 911 084 416(01)	100				
405 911 084 516(01)	160				
405 911 080 016(01)	63	10	G1/2	Ms 2pcs (1pc) <b>1 MPa</b>	
405 911 080 116(01)	63	12		Ms 2pcs (1pc) <b>3 MPa</b>	
405 911 080 216(01)	100	10		Ms 2pcs (1pc) <b>1 MPa</b>	
405 911 076 016	100	10		M20x1,5	Ms 1pc <b>1 MPa</b>
405 911 076 116	160				

\*) order number with added **01** at the end applies to ordering 1 well

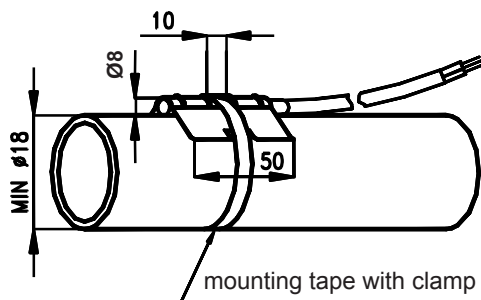
- sealing rings Cu (package 10 pcs) - for wells and weld-on-pieces

Order No.	Dimension
405 911 082 716	21 x 25
405 911 082 816	20 x 24

Due to continual technical development the manufacturer reserves the right to change parameters without prior notification.

## Temperature sensors

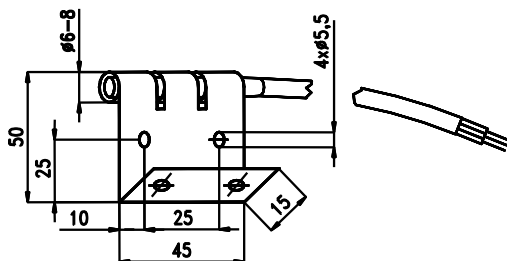
- holder P (attachable)



Order No.: 405 911 073 316 (Ø8)

Materiál: copper

- holder V (outdoor)



Order No.: 405 011 073 216

Materiál: steel class 11 (DIN 1.0320) with PÚ

Rated values of measuring resistance Pt for information purposes depending on temperature (ČSN EN 60751)

t [°C]	Pt100 [Ω]	t [°C]	Pt100 [Ω]	t [°C]	Pt100 [Ω]
-40	84,27	40	115,54	120	146,07
-30	88,22	50	119,40	130	149,83
-20	92,16	60	123,24	140	153,58
-10	96,09	70	127,08	150	157,33
0	100,00	80	130,90	160	161,05
10	103,90	90	134,71	170	164,77
20	107,79	100	138,51	180	168,48
30	111,67	110	142,29	190	172,17

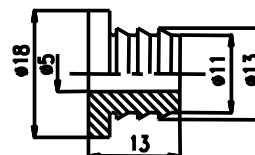
Permitted resistance deviations of Pt sensors from rated values for tolerance classes specified in °C

Tolerance class	Tolerance $\Delta T/K$ temperature   t   in °C	tolerance at t = 0 °C	
		$\Delta T/K$	Pt 100 [Ω]
A ČSN EN 60751	$\pm 0,15 + 0,002   t  $	$\pm 0,15$	99,94 to 100,06
B ČSN EN 60751	$\pm 0,30 + 0,005   t  $	$\pm 0,30$	99,88 to 100,12

### Warranty

24 months warranty is provided from the delivery date unless specified otherwise in the purchase contract.

- rubber bushing

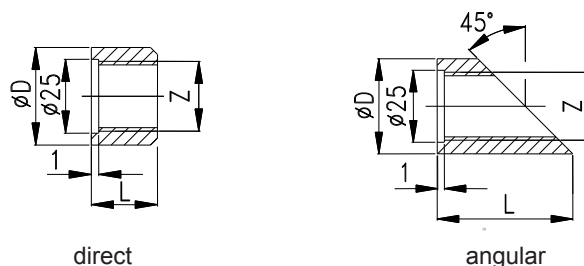


The bushing has a function of wall, sheet metal plug, etc.

Order No.: 405 061 014 516

Materiál: silicone (max. 180°C)

- weld-on-pieces



Order No. weld-on-piece	Type	Z	L	Ø D
405 911 081 416	direct	G1/2	19	28
405 911 081 616	angular	G1/2	40	28
405 911 081 816			46	
405 911 081 516	direct	M20x1,5	19	28
405 911 081 716	angular	M20x1,5	40	28
405 911 081 916			46	

The weld-on-pieces are supplied with sealing Cu rings and have aperture for sealing option.

Materiál: welding steel class 11 (DIN 1.0308, DIN 2391)

### Ordering devices

Code	Name			
405 112 649	Cable temperature sensor			
	<b>Code Measuring resistance</b>			
0	1 x Pt 100			
2	2 x Pt 100			
	<b>Code Tolerance class</b>			
1	A according to ČSN EN 60751			
2	B according to ČSN EN 60751			
	<b>Code Cable length</b>			
1	1.6 m			
2	2.5 m			
3	4 m			
4	6 m			
405 112 649	0	2	1	Ordered No.

Order example:

1 temperature sensor, type 11264, 1xPt100, tolerance class B, cable length 1.6 m