

Type 61218

Membrane pressure regulator for high pressures



Characteristics

- Range:** 4 kPa to 4 MPa in 4 ranges
- Contact load:**
 - ~ 250V/10A, cos 1
 - ~ 250V/2A, cos φ 0.6-0.3
 - = 250V/0,1A
 - = 48V/0,2A

Protection class: IP 65

Compact design

Connection by means of terminals on the switch or connector (except for Ex and switch B)

Description - use

The main use is for regulating and signalling pressure of gases and liquids. Regulated medium must not have aggressive effects on the regulator parts it is in contact with, and must not contain contamination preventing correct function. It is supplied with stainless steel sensor (steel ČSN 417246) and membrane from fluorocarbon or ethylene-propylene rubber.

The regulators with ethylene-propylene membrane in the sensor are designed for hot water, brake and cooling liquids, NH₃ etc. Medium temperature max. 120°C

Regulators with fluorocarbon membrane in the sensor are designed e.g. for steam, liquid fuels, oils, some acids and alkali. Medium temperature max. 200°C

Accessories for ordering include the connection screws M20x1,5 see. "Accessories".

Technical data

Ambient temperature: temperature range -20 to +60°C
 temperature range -20 ≤ T_a ≤ +40°C (Ex)

Specification environment Ex:  II 2G Ex db eb IIB T6 Gb

environment Ex:  II 2D Ex tb IIIC T 50°C Db

Vibration during operation:

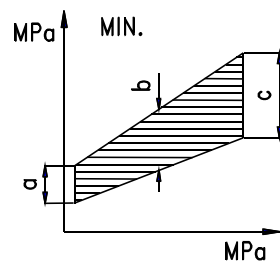
f = 10 to 55 Hz, s_a = to 0,15 mm

Min. service life:

at load by rated values according to the manual and max. speed of cycling up to 6 cycles/min is min. 100 000 cycles

Connection:

cable: Ø 9 ÷ 13 mm,
 wires: 0,75 at 2,5 mm²



Course of the difference in relation to the scale regulator
 (a-beginning - b-centre - c-end for Range)

0 kPa = atmospheric pressure
 0,1 MPa = 100 kPa = 1 bar

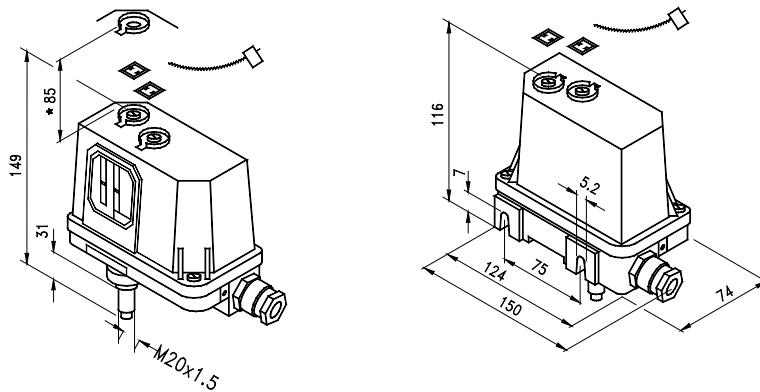
Order No. 405 xxxxx xxx		Microswitch		Range	Min. difference *)						Max. difference		Operating pressure [p _{max} /p _{min}] **)	Hydraulic test pressure	Units	Weight [kg]
Design	A	B	Microswitch													
			A			B			A	B						
	a	b	c	a	b	c										
T Ex	61218	601x 901x	611x 911x	4 to 160	3	6	9	10	15	20	40	100	2000/N - A 3200/N - B	3000 - A 4800 - B	kPa	0,65
T Ex	61218	602x 902x	612x 912x	0,1 to 1	0,02	0,03	0,04	0,04	0,06	0,08	0,25		2/N	3	MPa	0,6
T Ex	61218	603x 903x	613x 913x	0,25 to 2,5	0,08	0,12	0,15	0,16	0,24	0,3	0,63		4/N	6		
T Ex	61218	604x 904x	614x 914x	0,4 to 4	0,15	0,2	0,25	0,3	0,4	0,5	1		6/N	9		

*) The value of minimum difference gradually changes according to the real regulated pressure according to diagram with accurate specifications in the table

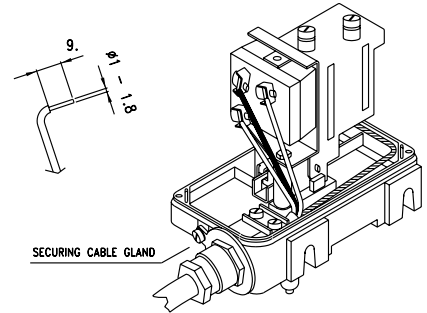
**) N - underpressure unlimited

Due to continual technical development the manufacturer reserves the right to change parameters without prior notification.

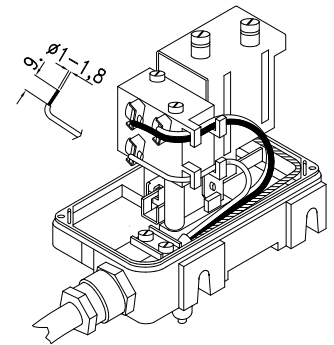
Dimension drawing



Switch connection in design Ex

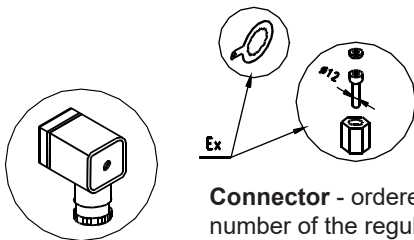


Switch connection in design T



Accessories Ex

- supplied in design Ex together with regulator
- in design T it is necessary to order separately (see. Accessories)



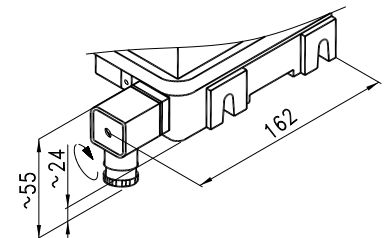
Connector - ordered with additional number **01** after ordering number of the regulator

*) Height above regulator necessary for removing cover is approx 85 mm.

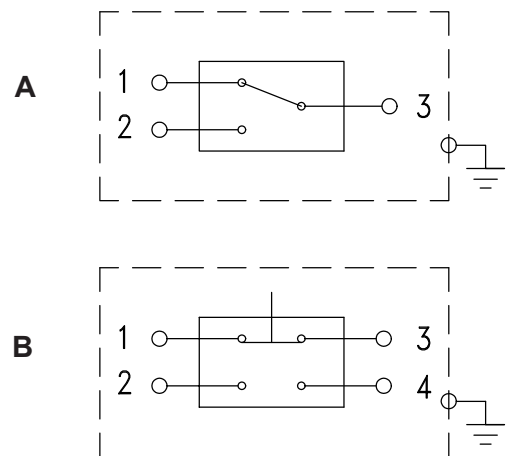
Ordering devices

Code	Name
405 61218	Membrane pressure regulator for high pressures
	Code Design
6	T
9	Ex
	Code Switch type
0	A
1	B
	Code Range
1	4 to 160 kPa
2	0,1 to 1 MPa
3	0,25 to 2,5 MPa
4	0,4 to 4 MPa
	Code Type of rubber
1	fluorcarbon
2	ethylene-propylene
	Code custom made
01	connector
405 61218	6 0 1 1 01 Ordered No.

Design with connector



Connecting switches (type A, B)



Order example: pressure membrane regulator, design T, switch A, range 4 to 160kPa, fluorcarbon rubber, custom made with connector

Warranty

24 months warranty is provided from the delivery date unless specified otherwise in the purchase contract.

Switches 2-3 (2-4) at increasing pressure. Switches 1-3 at decreasing pressure.