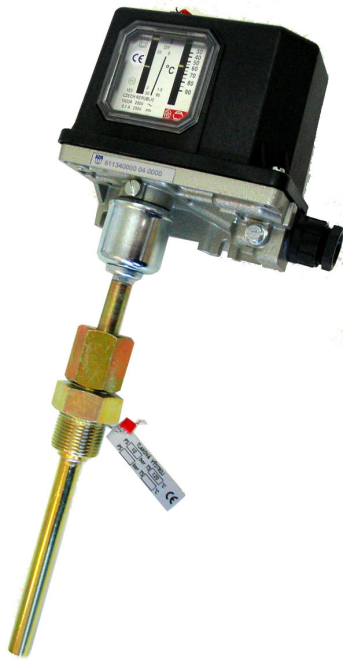


# Type 61134 Temperature regulator stem



### Characteristics

Range: -40°C to 140°C in 5 ranges  
 Contact load: ~ 250V/10A, cos 1  
 ~ 250V/2A, cos φ 0.6-0.3  
 = 250V/0,1A  
 = 48V/0,2A

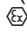

Protection class: IP 65

Compact design

Connection by means of terminals on the switch or connector (except for Ex and switch B)

### Technical data

Ambient temperature: temperature range -40 to +60°C  
 temperature range -20 ≤ T<sub>a</sub> ≤ +40°C

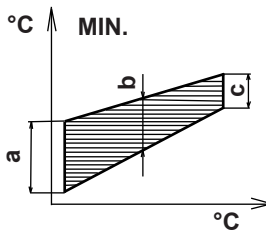
Specification  II 2G Ex db eb IIB T6 Gb  
 environment Ex:  II 2D Ex tb IIIC T 50°C Db

Vibration during operation: f = 10 to 55 Hz, s<sub>a</sub> = to 0,15 mm at load by rated values according to the manual and max. speed of cycling up to 6 cycles/min is min. 100 000 cycles

Min. service life:  
 Connection: cable: Ø 9 ÷ 13 mm, wires: 0,75 at 2,5 mm<sup>2</sup>

### Description - use

The main use is for regulating and signalling temperatures with the option of placing owned regulator directly in the measured temperature location by means of wells, which is an integral part of the regulator. The wells is supplied in brass design or stainless, see Accessories.



Course of the difference in relation to the scale regulator (a-beginning - b-centre - c-end for range)

Order No. *) 405 xxxxx xxx		Microswitch		Range	Unstability	Min. difference			Max. difference			Time factor T [s]	Max. overloading	Units	Length L [mm]	Weight [kg]			
Design		A	B			Microswitch													
						A		B		A, B									
		a	b	c	a	b	c	a	b	c									
T Ex	61134	601x 901x	611x 911x	-40 to 0	±1	2	2	2	4	4	4	12	12	12	°C	355	0,9		
T Ex	61134	602x 902x	612x 912x	-25 to 15		2	2	2	4	4	4	12	12	12					
T Ex	61134	603x 903x	613x 913x	0 to 40	±1 **)	3	2	1,5	5	4	3	16	12	8	°C	380	0,95		
T Ex	61134	604x 904x	614x 914x	30 to 90	±1,5	3	2	1,5	5	4	3	20	12	8				355	0,9
T Ex	61134	605x 905x	615x 915x	70 to 140	±2	3	2,5	1,5	5	4	3	20	12	7					

Ambient temperature, where the controller cabinet is located, must be for ranges -40 to +15°C higher, and for ranges +30 to +140°C lower than the temperature regulated.

405 61134 ...x

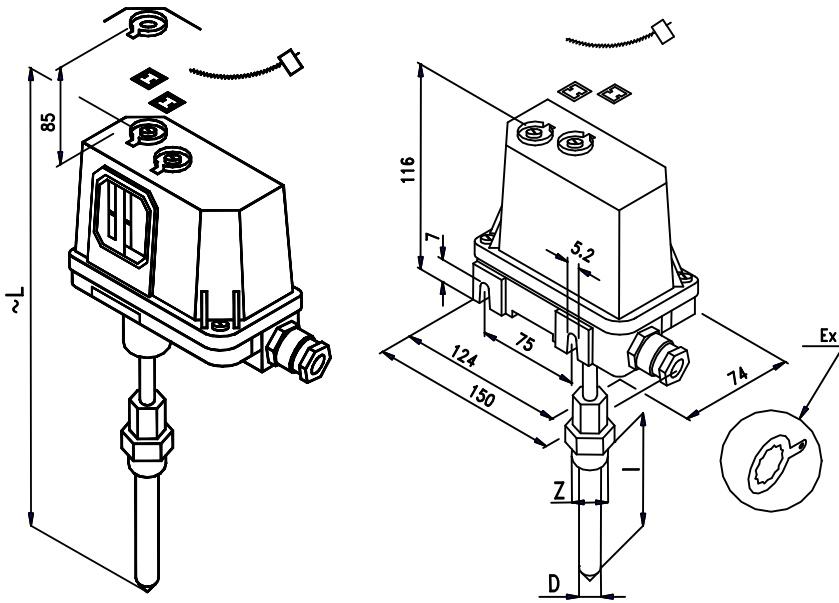
- 1 - well Ms, M27x2
- 2 - well stainless, M27x2
- 3 - well Ms, G3/4
- 4 - well stainless, G3/4
- 6 - well stainless, G1/2

\*) Order number for devices with connector comprises of basic ordering number according to the table and additional number 01.  
 \*\*) If the regulated medium temperature is within ±2°C in comparison to the temperature of the remaining part of the sensor, the instability increases to ±2°C

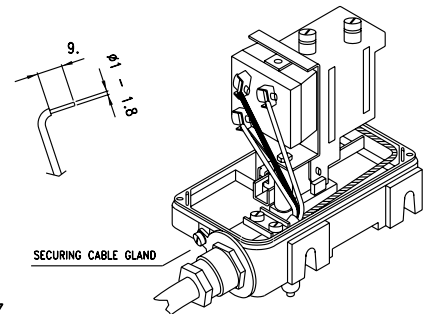
Due to continual technical development the manufacturer reserves the right to change parameters without prior notification.

# Temperature regulators

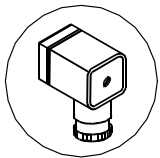
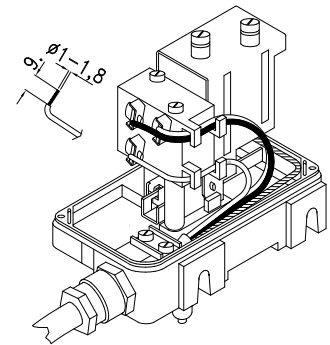
## Dimension drawing



Switch connection in design Ex



Switch connection in design T

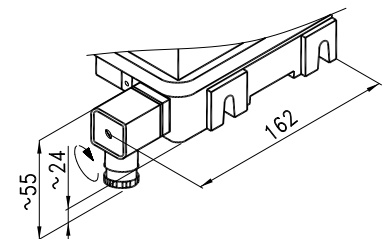


**Connector** - ordered with additional number **01** after ordering number of the regulator (custom made)  
Height above regulator necessary for removing cover is approx 85 mm.

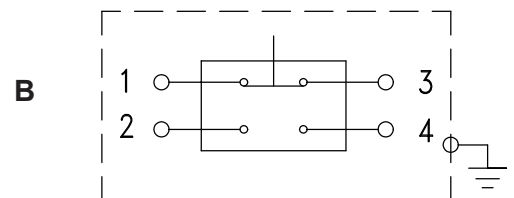
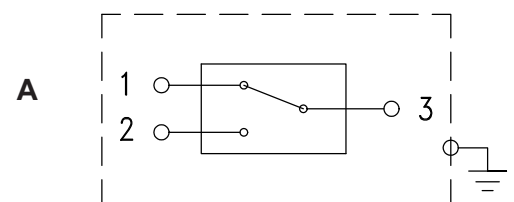
## Ordering devices

Code	Name
405 61134	Temperature regulator stem
Code	Design
6	T
9	Ex
Code	Switch type
0	A
1	B
Code	Range
1	-40 to 0 °C
2	-25 to 15 °C
3	0 to 40 °C
4	30 to 90 °C
5	70 to 140 °C
Code	Well
1	Ms, thread M27x2
2	stainless, thread M27x2
3	Ms, thread G3/4
4	stainless, thread G3/4
6	stainless, thread G1/2
Code	Custom made
01	connector

Design with connector



Connecting switches (type A, B)



Switches 2-3 (2-4) at increasing temperatures.  
Switches 1-3 at decreasing temperatures.

405 61134	6	0	3	1	01	Ordered No.
-----------	---	---	---	---	----	-------------

**Order example:** temperature regulator stem, design T, switch A, range 0-40°C, well Ms, thread M27x2, custom made with connector

## Warranty

24 months warranty is provided from the delivery date unless specified otherwise in the purchase contract.

Catalogue sheet **KLA 10/33/09-16**

Due to continual technical development the manufacturer reserves the right to change parameters without prior notification.